

Carbide substrates for PDC or PCBN compact, carbide substrates with diamond micron powder and CBN micron powder are used to compose PDC or PCBN compacts for oil & mine drilling bits and PCD & PCBN cutting tools.

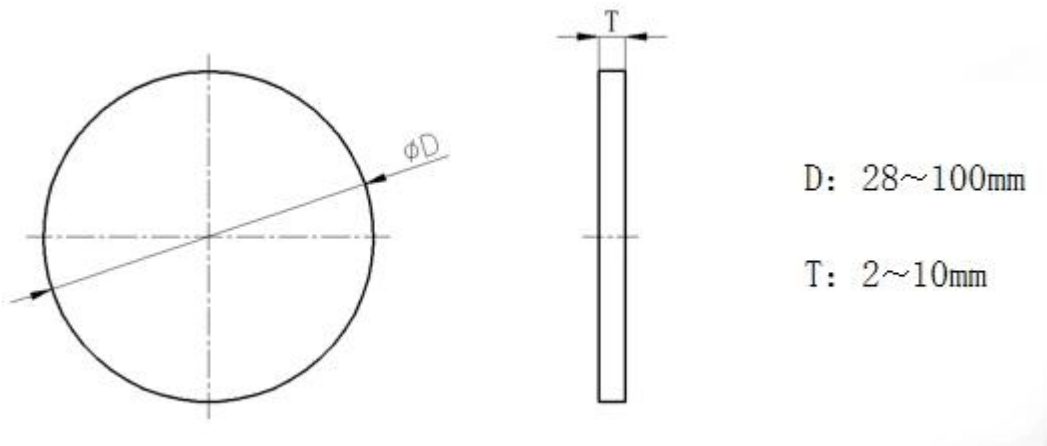
**Features:**

Adopt Grand Sea Group's self-produced high-quality WC powder;the whole series of Sinter-Hip sintering process.

The grain structure of the alloy is uniform, the microstructure is complete.

The quality is leading and excellent in China

**Size range and material specifications**



Material: Carbide Substrates For PDC can be supplied matching materials according to customer's need.

**Dimensional accuracy:**

Adopting foreign grinding technology, the precision of cylindrical grinding and surface grinding is leading domestically.

Can provide grinding products with a precision of 0.02mm stably